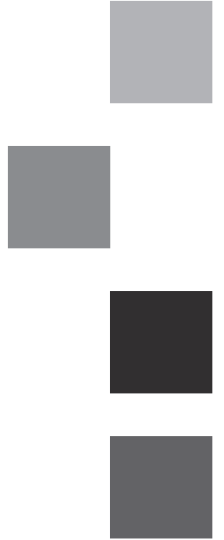
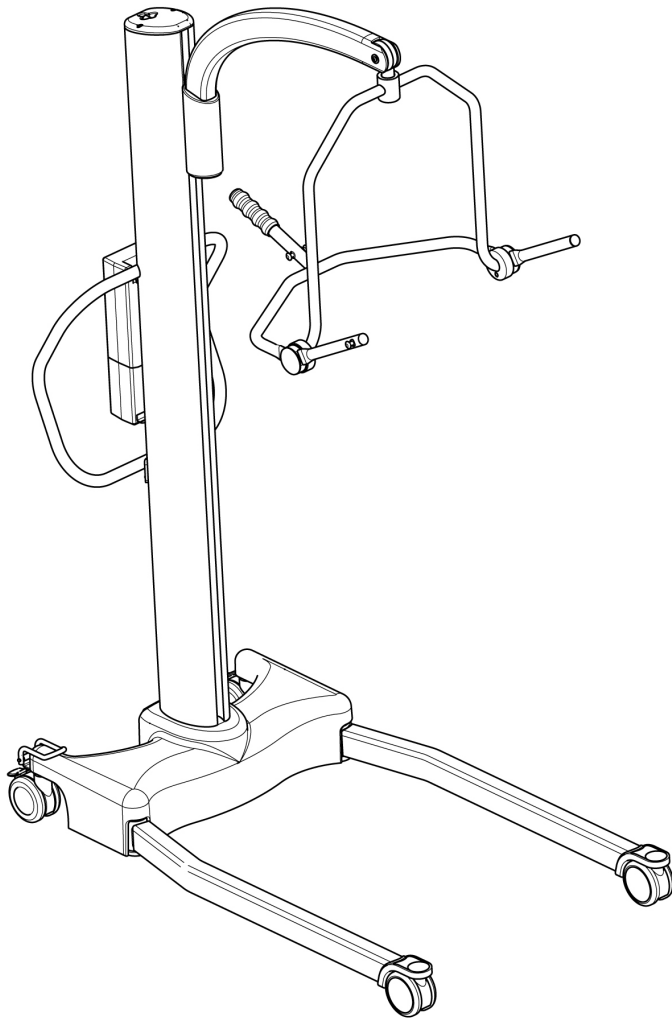


# Oxford<sup>®</sup>/Hoyer<sup>®</sup>

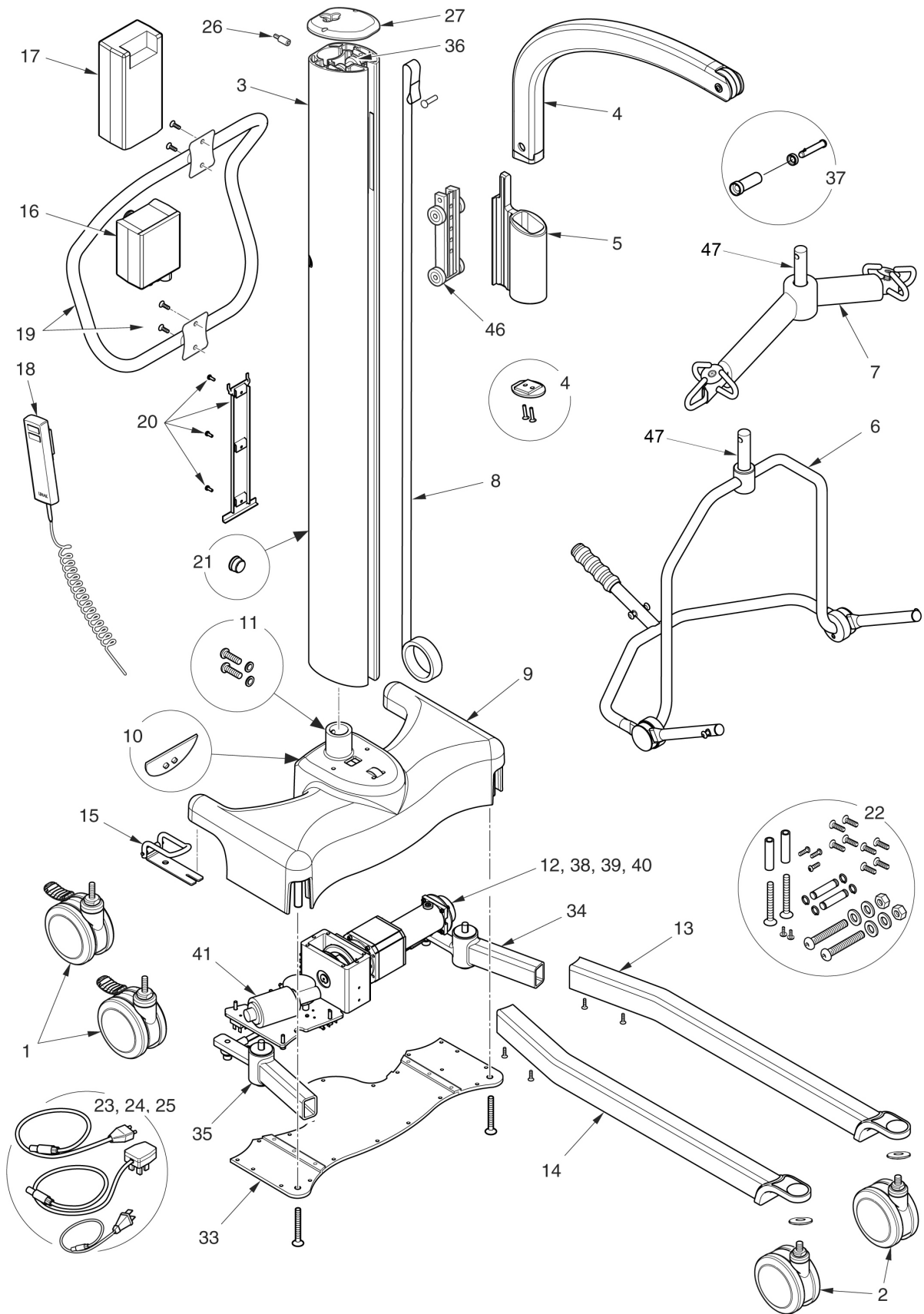
Oxford<sup>®</sup>/Hoyer<sup>®</sup> Stature  
Parts Manual



 Joerns  
Healthcare

Redefining patient handling

| NO. | PART NUMBER | DESCRIPTION  | QTY | SERIAL NO. |
|-----|-------------|--|-----|------------|
| 1   | 0Y0066      | 100mm rear castor (braked)   | 2   |            |
| 2   | 0Y0073      | 100mm front castor inc. load bearing washer and tightening wrench (wrench not shown) | 2   |            |
| 3   | 0Y0185      | Mast extrusion   | 1   |            |
| 4   | 0Y0186      | Boom extrusion and capping plate   | 1   |            |
| 5   | 0Y0187      | Boom carrier   | 1   |            |
| 6   | 0Y0188      | 4 point cradle assembly complete (standard with Stature)                             | 1   |            |
| 7   | 0Y0189      | 6 point spreader bar assembly complete (option with Stature)                         | 1   |            |
| 8   | 0Y0190      | Lift strap and pin   | 1   |            |
| 9   | 0Y0191      | Base Assembly; includes base casting & welded post (not internal parts)              | 1   |            |
| 10  | 0Y0192      | Foot push pad assembly complete  | 2   |            |
| 11  | 0Y0193      | Mast to base fixing kit  | 1   |            |
| 12  | 0Y0194      | Motor gear box and brake assembly complete   | 1   |            |
| 13  | 0Y0195      | Left leg extrusion including fixings   | 1   |            |
| 14  | 0Y0196      | Right leg extrusion including fixings  | 1   |            |
| 15  | 0Y0197      | Straight-line steering device  | 1   |            |
| 16  | 0Y0198      | Linak controller   | 1   |            |
| 17  | 0Y0067      | Linak battery  | 1   |            |
| 18  | 0Y0075      | Linak hand control   | 1   |            |
| 19  | 0Y0199      | Push handle assembly and fixings   | 1   |            |
| 20  | 0Y0069      | Linak battery and controller brackets/fixings  | 1   |            |
| 21  | 0Y0200      | Mast grommet (cable feed)  | 2   |            |
| 22  | 0Y0201      | Fixings Kit (all bolts, screws and fixings)  | 1   |            |
| 23  | 0Y0071      | Linak charge lead UK   | 1   |            |
| 24  | 0Y0114      | Linak charge lead USA  | 1   |            |
| 25  | 0Y0072      | Linak charge lead EURO   | 1   |            |
| 26  | 0Y0202      | Emergency descent socket and drive   | 2   |            |
| 27  | 0Y0203      | Mast top cap   | 1   |            |
| 28  | 0Y0204      | Decal set (Oxford) not shown (no serial number labels)                               | 1   |            |
| 29  | 0Y0205      | Decal set (Hoyer) not shown (no serial number labels)                                | 1   |            |
| 30  | 0Y0070      | Handset clip (not shown)   | 1   |            |
| 31  | 0Y0128      | Castor tightening wrench (not shown)   | 1   |            |
| 32  | 0Y0227      | Wiring kit complete (includes circuit diagram and descriptions) not shown            | 1   |            |
| 33  | 0Y0218      | Base bottom plate  | 1   |            |
| 34  | 0Y0219      | Leg pivot assembly and fixings (left hand)   | 1   |            |
| 35  | 0Y0220      | Leg pivot assembly and fixings (right hand)  | 1   |            |
| 36  | 0Y0221      | Top pulley assembly  | 1   |            |
| 37  | 0Y0222      | Quick release pin kit  | 1   |            |
| 38  | 0Y0223      | Brake assembly (separate)  | 1   |            |
| 39  | 0Y0224      | Motor gearbox assembly (separate)  | 1   |            |
| 40  | 0Y0225      | Bottom pulley kit  | 1   |            |
| 41  | 0Y0226      | Leg motor  | 1   |            |
| 42  | 0Y0228      | Limit switch kit (includes 4 proximity switches) not shown                           | 1   |            |
| 43  | 0Y0229      | Relay kit (X1) not shown   | 1   |            |
| 44  | 0Y0230      | Diode kit (X4) not shown   | 1   |            |
| 45  | 0Y0053      | Linak charger and stand assembly without charging lead (not shown)                   | 1   |            |
| 46  | 0Y0231      | Carriage pulley assembly complete  | 1   |            |
| 47  | 0Y0380      | Spreader bar washer and o-ring spares kit  | 1   |            |
| 48  | 0Y0480      | Boom end cap   | 1   |            |





**Joerns Healthcare Ltd**

Drakes Broughton Business Park, Worcester Road  
Drakes Broughton, Pershore, Worcestershire  
WR10 2AG, United Kingdom  
Tel: +44 (0)844 811 1156  
Fax: +44 (0)844 811 1157  
[info@joerns.co.uk](mailto:info@joerns.co.uk)  
[www.joerns.co.uk](http://www.joerns.co.uk)

**Joerns Healthcare**

5001 Joerns Drive  
Stevens Point, WI 54481-5040  
USA  
715-341-3600  
800-826-0270  
Fax: 715-341-3962  
[www.joerns.com](http://www.joerns.com)