

Oxford[®]



Uniclass L7716	EPIC Q233
CI/SfB (66.2)	X (U35)

Voyager

Ceiling Hoist Range



 **Joerns**
Healthcare

Redefining patient handling

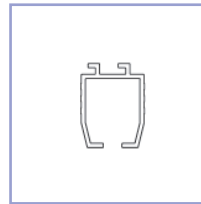
Voyager 420, 550 & 800

Whether its for the institutional or homecare environment, the Voyager ceiling track system is the perfect solution to your moving and handling needs.

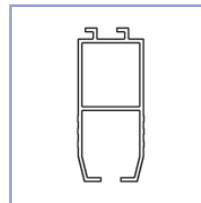
The Voyager range of ceiling hoists includes:

- Voyager 420 - A standard model for institutional or homecare use
- Voyager 550 - A heavy-duty lifter for the institutional environment
- Voyager 800 - A specialist bariatric solution (SWL 360kg/57st/800lbs)





76mm Track



144mm Track

Voyager[®] 420

The Voyager 420 will satisfy the majority of manual handling requirements with a maximum user weight of 190kg (30st/420lbs). The Voyager 420 is available in a 2-way (powered vertically, freewheel horizontally) or 4-way model (powered vertically and horizontally). The standard Oxford spreader bar supplied, allows use of the full Oxford sling range.

Voyager[®] 550

The Voyager 550 has all the features of the Voyager 420 but it will lift up to 250kg (40st/550lbs). The Voyager 550 is suitable for manual handling where a patient exceeds 190kg (30st/ 420lbs).

Voyager[®] 800

The Voyager 800 has been designed to lift up to 360kg (57st/800lbs) and is the perfect solution for bariatric or specialist institutional requirements. The Voyager 800 has all the features of the Voyager 420 and comes in a 4-way (powered vertically and horizontally) model only.

1 Simple Track Design

Can be installed quickly and efficiently by one person. A full range of track options and accessories is available.

2 Compact, Ergonomic Design

Simple and safe to use.

3 Standard and Quick Speed Traverse

Saves time repositioning between transfers (standard on 550 and 800).

4 2 or 4-way Models

Powered vertically and horizontally or just vertically.

5 Low Battery Indicator

Audible and visual alert ensures there is always power whenever it's required.

6 Emergency Lower and Emergency Stop

Operated by a simple pull of a cord.

7 Simple Handset

Easy to use handset which includes a return to charge function.

8 Soft Start and Stop

Ensures a comfortable, safe transfer for the patient.

9 Oxford Spreader Bar

Allows full compatibility with Oxford's extensive range of slings.

10 Integrated Charger

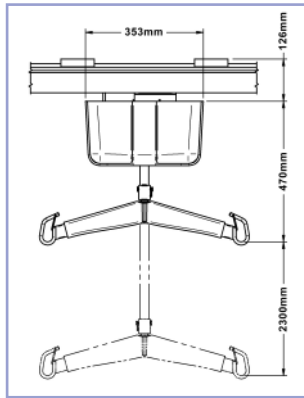
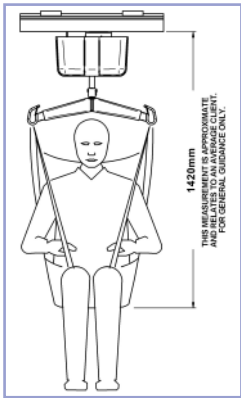
Allows quick and safe installation.

11 Infra-red Handset Option

Ideal for tall ceilings, over rehabilitation or swimming pools. An option on the Voyager 420, 550 and 800 for added versatility.

Key features and dimensions

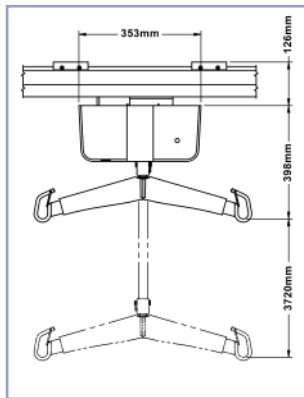
Voyager 420:



Voyager 420 Operating Features:

- Lifting capacity: 190kg (420lbs/30st)
- Average weight: 12.7kg (28lbs) including battery
- Electronic soft-start and stop motor
- Manual and electric emergency lowering device
- Emergency brake (for mechanical failure)
- Emergency stopping device
- Current limiter for circuit protection
- Low battery disconnect system to protect batteries from being drained
- Lifting speed: 4cm/sec (1.6in/sec)
- Horizontal displacement speed: 20cm/sec
- Vertical and horizontal motor: 24 VDC 1/12 HP
- Strap length upto 2.2m
- ISO 10535 compliant

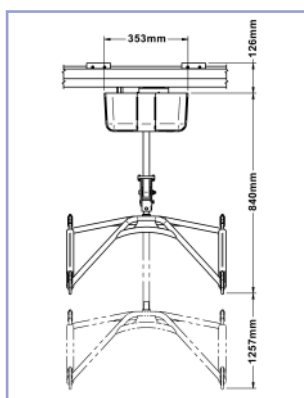
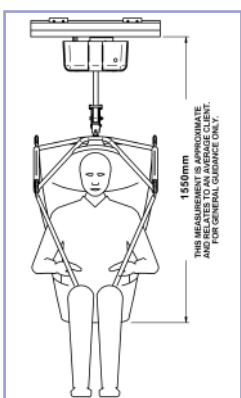
Voyager 550:



Voyager 550 Operating Features:

- Lifting capacity: 250kg (550lbs/39st)
- Average weight: 22.7kg (50lbs) including battery
- Electronic soft-start and stop motor
- Manual and electric emergency lowering device
- Emergency brake (for mechanical failure)
- Emergency stopping device
- Current limiter for circuit protection
- Low battery disconnect system to protect batteries from being drained
- Lifting speed: 6cm/sec (2.4in/sec)
- Horizontal displacement speed: 15cm/sec and 25cm/sec (9.8in/sec)
- Vertical axis motor: 24 VDC 1/10 HP
- Strap length upto 3.6m
- ISO 10535 compliant

Voyager 800:



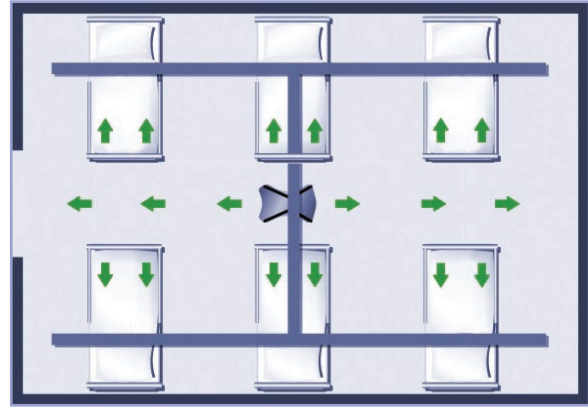
Voyager 800 Operating Features:

- Lifting capacity: 360kg (800lbs/57st)
- Average weight: 22.7kg (50lbs) including battery
- Electronic soft-start and stop motor
- Manual and electric emergency lowering device
- Emergency brake (for mechanical failure)
- Emergency stopping device
- Current limiter for circuit protection
- Low battery disconnect system to protect batteries from being drained
- Lifting speed: 3cm/sec (1.2in/sec)
- Horizontal displacement speed: 15cm/sec
- Vertical axis motor: 24 VDC 1/8 HP
- Horizontal axis motor: 24 VDC 1/10 HP
- Strap length upto 1.3m
- ISO 10535 compliant

Extensive room coverage with various track layouts



The Voyager system enables easy transfer between rooms throughout a building and can be arranged in various track layouts to suit individual requirements.



The Voyager x-y system allows complete room coverage and is perfect for multi-bed environments, such as hospital wards.

Track components and accessories

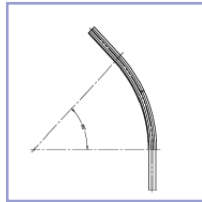
A wide range of track options are available from 2 to 6m straight track, 45° or 90° bends, x-y systems, turntables and a variety of wall and ceiling brackets to suit whichever track layout is required. This includes the following components: -



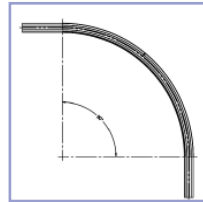
76mm Track



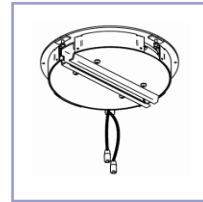
144mm Track



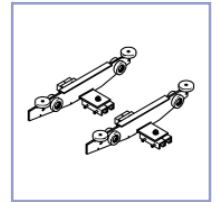
45° Curved Track



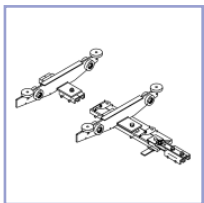
90° Curved Track



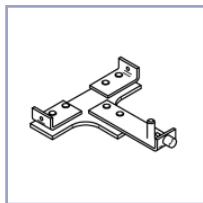
Turntable



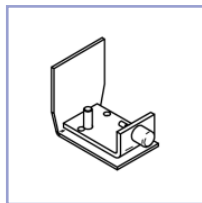
X-Y Trolley Kit



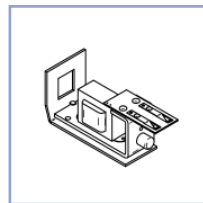
X-Y and Gate System



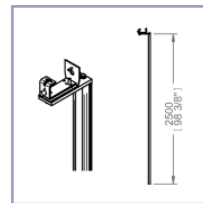
Track Junction



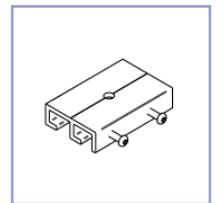
Rail Stopper



Charger Stopper



Wall Post



Standard Track Bracket

Voyager Overhead Hoist	420	550	800
Safe Working Load	190kg / 420lbs / 30st	250kg / 550lbs / 39st	360kg / 800lbs / 57st
Soft Start and Stop	✓	✓	✓
Emergency Lower	Manual / Electric	Manual / Electric	Manual / Electric
Emergency Stop	✓	✓	✓
Low Battery Indicator	Visual / Audible	Visual / Audible	Visual / Audible
Battery Capacity (load of 75kg)	Upto 150 transfers	Upto 150 transfers	Upto 150 transfers
Battery Charger	Integrated	Integrated	Integrated
Weight (including battery)	12.7kg / 28lbs	22.7kg / 50lbs	22.7kg / 50lbs
Compatible with Full Oxford Sling Range	✓	✓	✓
Vertical Speed	4cm/sec	6cm/sec	3cm/sec
Horizontal Speed	15cm/sec	15 and 25cm/sec	15 and 25cm/sec

Accessories	Code
Infrared Kit	VOY-A5400
Powered Turntable - 45 Degree	VOY-A4000-45-UK
Powered Turntable - 90 Degree	VOY-A4000-90-UK
Automatic Return to Charger	VOY-A5200
X-Y Tracking System	VOY-A5800 & VOY-A5810
Gantry Track	VOY-A9200

Track	Code
2m Straight Track	VOY-M0580
3m Straight Track	VOY-M0585
45 Degree Curve	VOY-A0175
90 Degree Curve	VOY-A0170
Track Bracket	VOY-A0110
Wall Bracket (set of 2)	VOY-A4900
Swivel Wall Bracket (set of 2)	VOY-A4950
Lateral Bracket for Suspended Ceiling	VOY-A0553
Additional Rail Stopper	VOY-A5320

Specifications may vary due to manufacturing tolerances

More track options available. Please contact Customer Services for more information.

Suitability

The Voyager range of lifts are suitable for the following categories of lift within the working parameters of the lifts specified in the technical specifications:

- Category A - Wheelchair
- Category B - Bed
- Category C - Bath
- Category D - Toilet/Shower Chair
- Category E - Floor
- Category F - 90 degree rotation

Approvals & Certification

- CSA 601.1
- UL 2601.1
- EN 60601.1
- EN ISO 10535 (Lifting devices) SGS
- UK Test Report: DUR22107/AC/OO

Electrical Specifications

- Battery 1 X 12 volt rechargeable sealed lead acid type
- Battery capacity 3.2 Ampere hours
- Charger rated input 230Vac 50/60Hz
- Charger rated output 27.4/29.0 VDC@0.8A

Warranty

The Voyager system comes with a 12 month warranty as standard. Please refer to the user manual for further information.

Electrical Shock Protection

- Charger - class II
- Lift - internal power source

- Degree of shock protection
- Charger - Type B
- Lift - Type B
- Intended operating environment : >+5° <+40°
- Outside this environment, functionality and safety may be compromised



Oxford®



Joerns Healthcare Limited
Drakes Broughton Business Park, Worcester Road, Drakes Broughton
Persore, Worcestershire, WR10 2AG United Kingdom
(T) +44 (0) 844 811 1156 (F) +44 (0) 844 811 1157
www.joerns.co.uk • email: info@joerns.co.uk