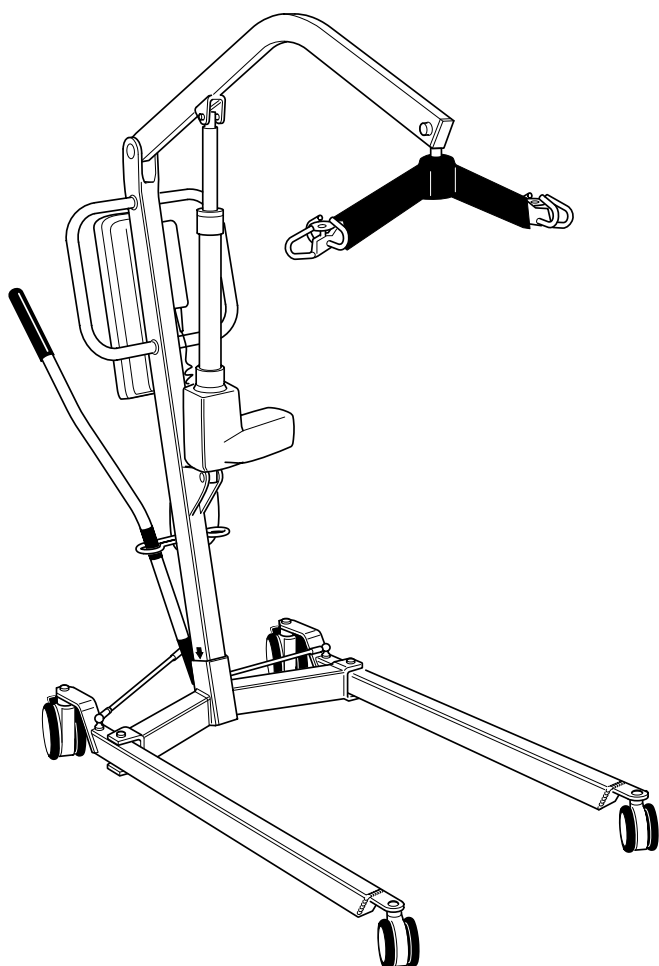


Oxford[®]

Oxford[®] Midi 170 Parts Manual



 Joerns
Healthcare

Redefining patient handling

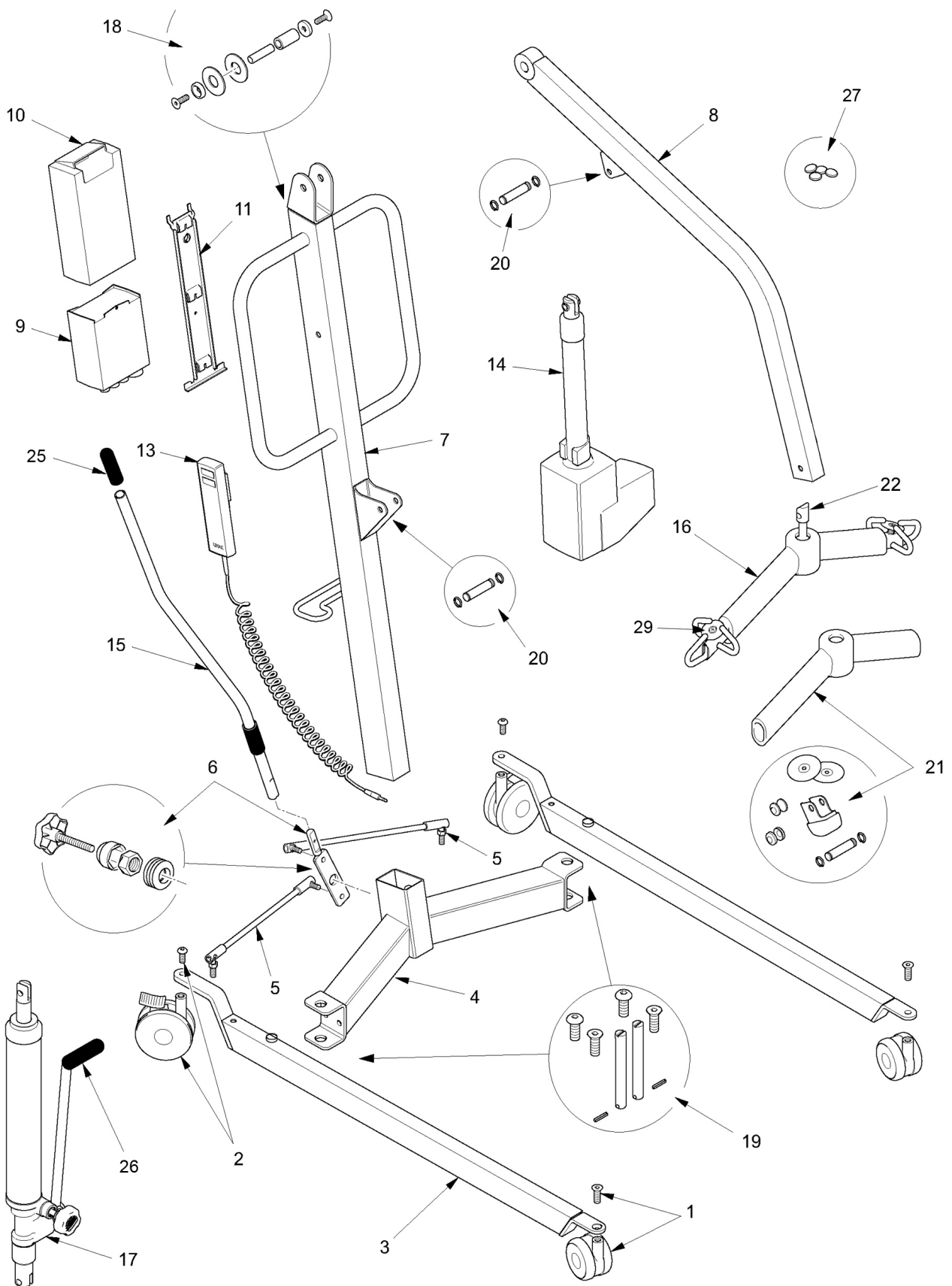
NO.	PART NUMBER	DESCRIPTION	QTY	SERIAL NO.
1	091388.10000	Castor kit:75mm nylon castor, M8 CSK screw	1	
2	091388.10001	Rear castor kit: 100mm nylon braked castor M10 button head bolt	1	
3	211001.10003	Leg fabrication: Suitable for left & right config (not inc. castors)	1	
4	211001.10010	Cross member assembly, including nutsert	1	
5	EM-2679	Link rod	1	
6	232388.10000	Pivot plate assy: inc. belville washers, circlip, cap, & locking knob	1	
7	211001.10004	Mast complete	1	
8	211709.10001	Boom complete	1	
9	172001.10003	Linak controller	1	
10	000172.10000	Linak battery	1	
11	560000.10000	Linak battery and controller bracket and fixings	1	
12	133001.10001	Linak battery charger and desk top unit (not shown)	1	
13	293388.10000	Linak hand control	1	
14	182001.10001	Linak actuator (250mm stroke)	1	
15	232388.10007	Leg adjuster handle	1	
16	808003.10021	Spreader bar assembly	1	
17	HY/4088	Hydraulic pump	1	

KITS & FIXINGS COMPLETE

18	232388.10009	Mast & boom fixing kit: Nylon washers (x2), Nylon pivot tube (x1), Steel pivot pin (x1), Washers (x2), M8 CSK bolt (x2)	1	
19	232388.10008* *Includes item EM-2679	Leg fixing kit: M6x10 SKT screws (x2), M4x20 pins (x2), Washers (x4), Washer springs (x4), Rod link assembly (x2), Leg pivot pin (x1)	1	
20	232388.10004	Actuator fulcrum fixing kit: Fixing pins (x2), Circlips (x4)	1	
21	642388.10000	Spreader bar service kit: Padding (x1), Fulcrum pin caps (x2), Boom end cap (x1), Cap washers (x2), Circlips (x2), Fulcrum pin (x1), Sling retaining plates complete (x2)	1	
22	0Y0381	Spreader bar washer and o-ring spares kit	1	
23	808003.10173	Leg adjuster service tool (not shown)	1	

COMMONLY REQUIRED ITEMS

24	000412.10010	Decal Set Electric (not shown)	1	
	000412.10011	Decal Set Hydraulic (not shown)	1	
25	655530.10000	Handle grip: leg adjuster handle	10	
26	655530.10001	Handle grip: hydraulic pump handle	10	
27	655530.10002	Circlip caps	10	
28	000384.11000	Knob lever handle fixing screw (not shown)	1	
29	808003.10013	Sling retaining clip	1	
30	EM/3683	Straight line steering device (not shown)	1	





Joerns Healthcare Ltd

Drakes Broughton Business Park, Worcester Road

Drakes Broughton, Pershore, Worcestershire

WR10 2AG, United Kingdom

Tel: +44 (0)844 811 1156

Fax: +44 (0)844 811 1157

info@joerns.co.uk

www.joerns.co.uk