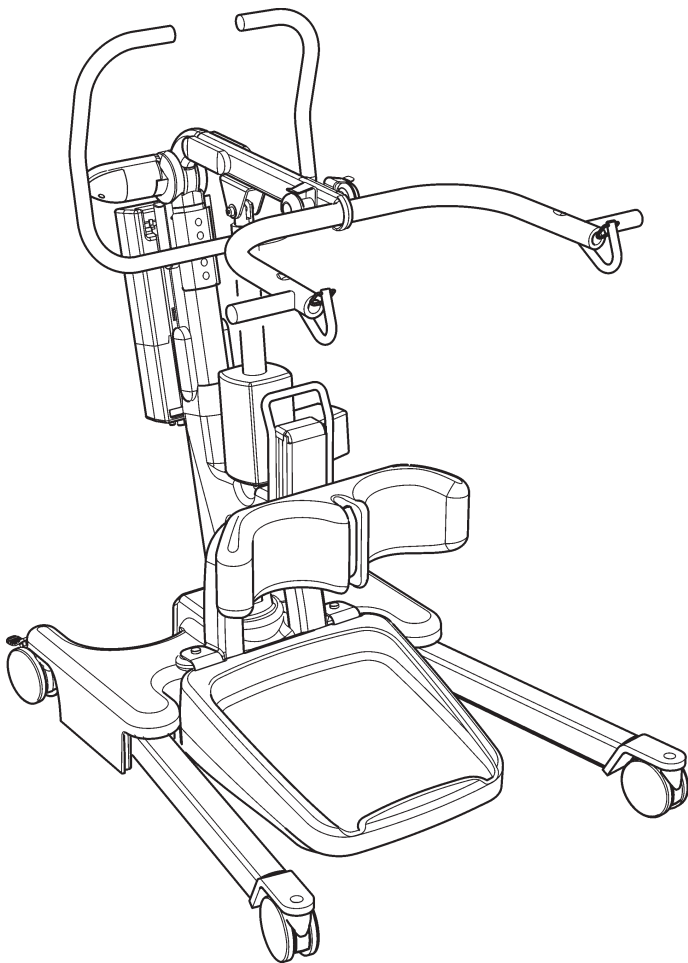


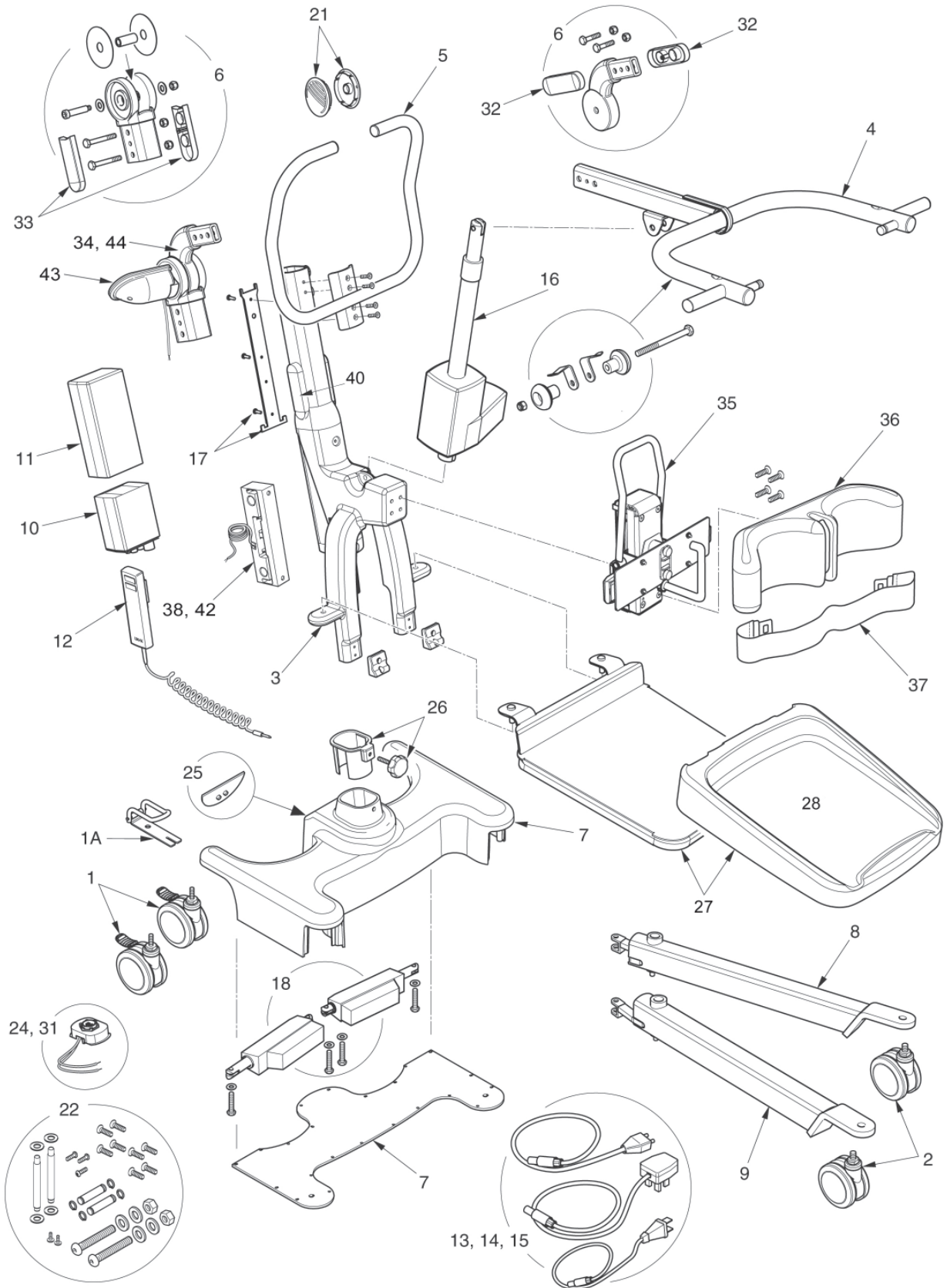
# Oxford<sup>®</sup>/Hoyer<sup>®</sup>

Oxford<sup>®</sup>/Hoyer<sup>®</sup> Elevate  
Parts Manual



Redefining patient handling

NO.	PART NUMBER	DESCRIPTION	QTY	SERIAL NO.
1	0Y0066	100mm rear castor (braked)	2	
1A	0Y0263	Straight-line steering device	1	
2	0Y0073	100mm front castor (non braked) including tightening wrench (wrench not shown)	2	
3	0Y0491	Mast extrusion including labels	1	
4	0Y0307	Boom extrusion - cow horn style (US ELEVATE MODEL)	1	
4	0Y0388	Boom extrusion - cow horn style (UK ELEVATE MODEL)	1	
4	0Y0488	Boom extrusion - cow horn style (US ELEVATE 3 MODEL)	1	
5	0Y0208	Push handle assembly (including bolts & fixings)	1	
6	0Y0103	Cast boom to mast pivot joint (including connection bolts/fixings/spacers)	1	
7	0Y0080	Base assembly (including labels, base casting and bottom plate, not internal parts)	1	
8	0Y0209	Left leg extrusion (including fixings)	1	
9	0Y0210	Right leg extrusion (including fixings)	1	
10	0Y0211	Linak controller (4 way)	1	
11	0Y0067	Linak battery	1	
12	0Y0075	Linak hand control (4 way)	1	
13	0Y0071	Linak charge lead (UK)	1	
14	0Y0114	Linak charge lead (US)	1	
15	0Y0072	Linak charge lead (EU)	1	
16	0Y0504	Linak actuator (including location pins, sleeves, washers, nuts, labels)	1	
17	0Y0069	Linak battery and controller bracket/fixings	1	
18	0Y0093	Linak leg actuator - 35mm stroke (including bolts and fixings)	2	
19	0Y0492	Decal set (Oxford) not shown - no serial number labels	1	
20	0Y0493	Decal set (Hoyer) not shown - no serial number labels	1	
21	0Y0126	Pivot caps	2	
22	0Y0494	Fixings kit (all bolts, screws and fixings)	1	
23	0Y0070	Handset clip (not shown)	1	
24	0Y0077	Mast to base electrical connection kit (including wires)	1	
25	0Y0078	Foot push pad	1	
26	0Y0112	Mast locking knob assembly (including plastic base insert)	1	
27	0Y0495	Foot plate assembly (including cover)	1	
28	0Y0496	Foot plate cover	1	
29	0Y0128	Castor tightening wrench (not shown)	1	
30	0Y0053	Linak charger and stand assembly without charging lead (not shown)	1	
31	0Y0129	Base to actuator electrical connection kit (including wires)	1	
32	0Y0108	Boom to mast pivot plastic caps	2	
33	0Y0076	Mast side caps	2	
34	0Y0497	Scale display and pivot casting kit (US)	1	
35	0Y0498	Kneepad adjustment mechanism	1	
36	0Y0499	Knee pad assembly (including fixing bolts)	1	
37	0Y0500	Leg strap	1	
38	0Y0501	Load cell assembly (US)	1	
39	0Y0502	Dummy load cell assembly (not shown)	1	
40	0Y0503	Mast side caps	2	
41	0Y0128	Castor tightening wrench (not shown)	1	
42	0Y0791	Load cell assembly (EU)	1	
43	0Y0792	Scale display overlay (EU)	1	
44	0Y0793	Load display and pivot casting kit (EU)	1	





---

**Joerns Healthcare Ltd**

Drakes Broughton Business Park, Worcester Road  
Drakes Broughton, Pershore, Worcestershire  
WR10 2AG, United Kingdom  
Tel: +44 (0)844 811 1156  
Fax: +44 (0)844 811 1157  
[info@joerns.co.uk](mailto:info@joerns.co.uk)  
[www.joerns.co.uk](http://www.joerns.co.uk)

**Joerns Healthcare Inc**

5001 Joerns Drive  
Stevens Point, WI 54481-5040  
USA  
715-341-3600  
800-826-0270  
Fax: 715-341-3962  
[www.joerns.com](http://www.joerns.com)