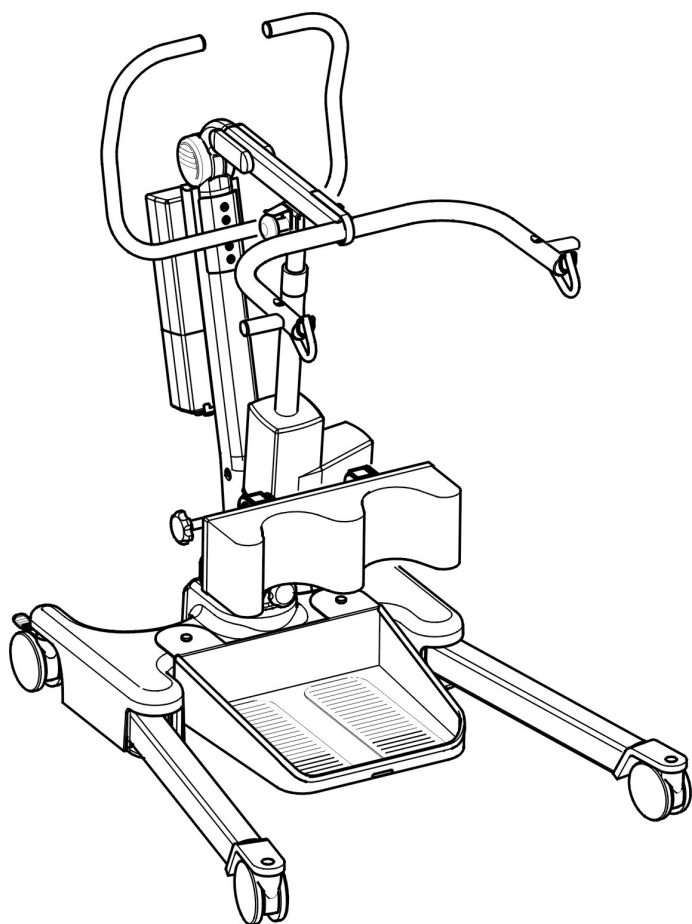


Oxford[®]/Hoyer[®]

Oxford[®]/Hoyer[®] Ascend
Parts Manual

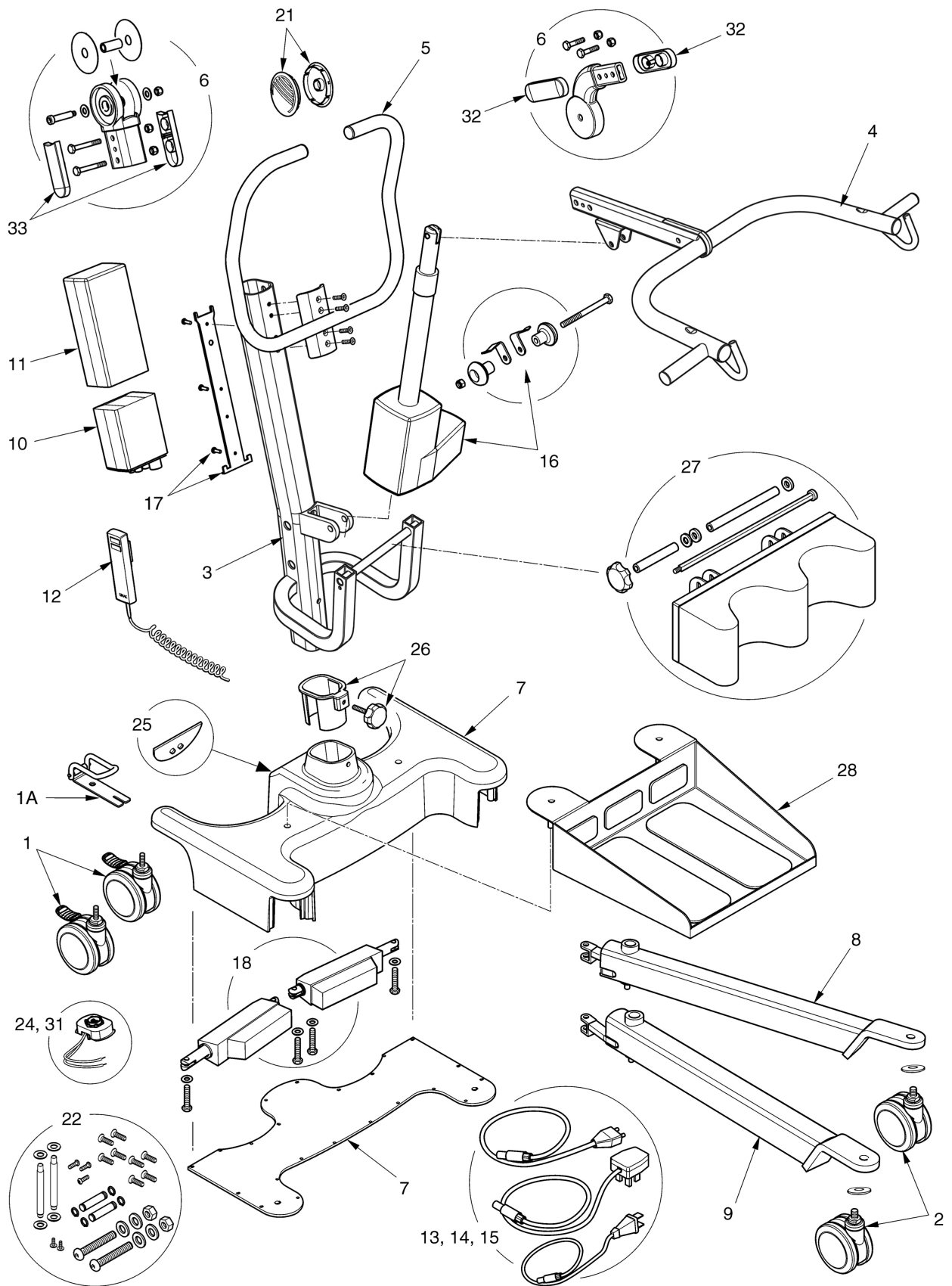


 Joerns
Healthcare

Redefining patient handling

NO.	PART NUMBER	DESCRIPTION	QTY	SERIAL NO.
1	0Y0066	100mm rear castor (braked)	2	
1A	0Y0263	Straight-line steering device	1	
2	0Y0073	100mm front castor inc. load bearing washer and tightening wrench (wrench not shown)	2	
3	0Y0206	Mast extrusion including labels 2006 MODEL*	1	
3	0Y0308	Mast extrusion including labels 2006/2007 MODEL*	1	
4	0Y0207	Boom extrusion - Cow horn style (including boom end cap) 2006 MODEL*	1	
4	0Y0307	Boom extrusion - Cow horn style (including boom end cap) 2006/2007 MODEL*	1	
5	0Y0208	Push handle assembly (including bolts & fixings)	1	
6	0Y0103	Casted boom to mast pivot joint (including connection bolts/fixings/spacers)	1	
7	0Y0092	Base assembly (including labels, base casting and bottom plate, not internal parts)	1	
8	0Y0209	Left leg extrusion (including fixings)	1	
9	0Y0210	Right leg extrusion (including fixings)	1	
10	0Y0211	Linak controller (4 way)	1	
11	0Y0067	Linak battery	1	
12	0Y0075	Linak hand control (4 way)	1	
13	0Y0071	Linak charge lead (UK)	1	
14	0Y0114	Linak charge lead (US)	1	
15	0Y0072	Linak charge lead (EU)	1	
16	0Y0212	Linak actuator (inc. location pins, sleeves, washers, nuts, labels) 2006 MODEL*	1	
16	0Y0306	Linak actuator (inc. location pins, sleeves, washers, nuts, labels) 2006/2007 MODEL*	1	
17	0Y0069	Linak battery and controller brackets/fixings	1	
18	0Y0093	Linak leg opening actuator - 35mm stroke (including bolts and fixings)	1	
19	0Y0213	Decal set (Oxford) not shown - no serial number labels	1	
20	0Y0214	Decal set (Hoyer) not shown - no serial number labels	1	
21	0Y0126	Pivot Caps	2	
22	0Y0102	Fixings kit (all bolts, screws and fixings)	1	
23	0Y0070	Handset clip (not shown)	2	
24	0Y0077	Mast to base electrical connection kit (including wires)	1	
25	0Y0078	Foot Push Pad assembly complete	2	
26	0Y0112	Mast locking knob assembly (including plastic base insert)	1	
27	0Y0632	Knee pad assembly (including all bolts and fixings)	1	
28	0Y0101	Foot plate assembly	1	
29	0Y0128	Castor tightening wrench (not shown)	1	
30	0Y0053	Linak charger and stand assembly without charging lead (not shown)	1	
31	0Y0129	Base to actuator electrical connection kit (including wires)	1	
32	0Y0108	Boom to mast pivot plastic caps	2	
33	0Y0076	Mast side caps	2	
34	0Y0687	Sling retainers (not shown)	10	

* Please check with Customer Services prior to ordering





Joerns Healthcare Ltd

Drakes Broughton Business Park, Worcester Road
Drakes Broughton, Pershore, Worcestershire
WR10 2AG, United Kingdom
Tel: +44 (0)844 811 1156
Fax: +44 (0)844 811 1157
info@joerns.co.uk
www.joerns.co.uk

Joerns Healthcare

5001 Joerns Drive
Stevens Point, WI 54481-5040
USA
715-341-3600
800-826-0270
Fax: 715-341-3962
www.joerns.com