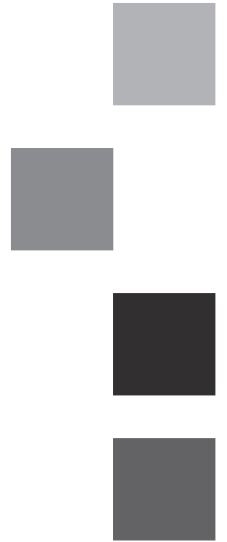
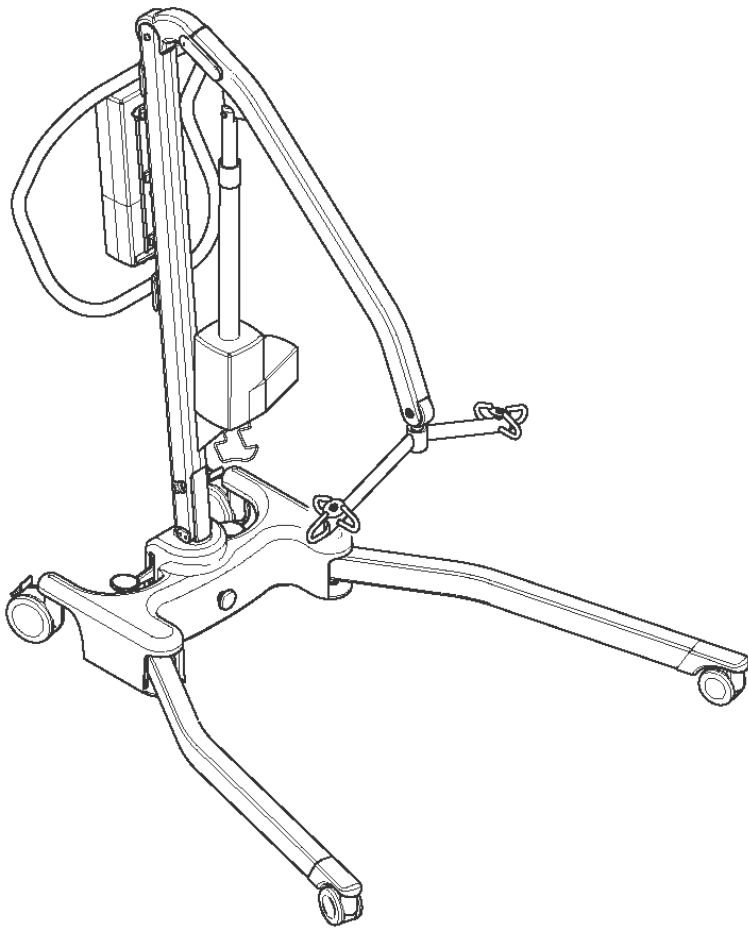


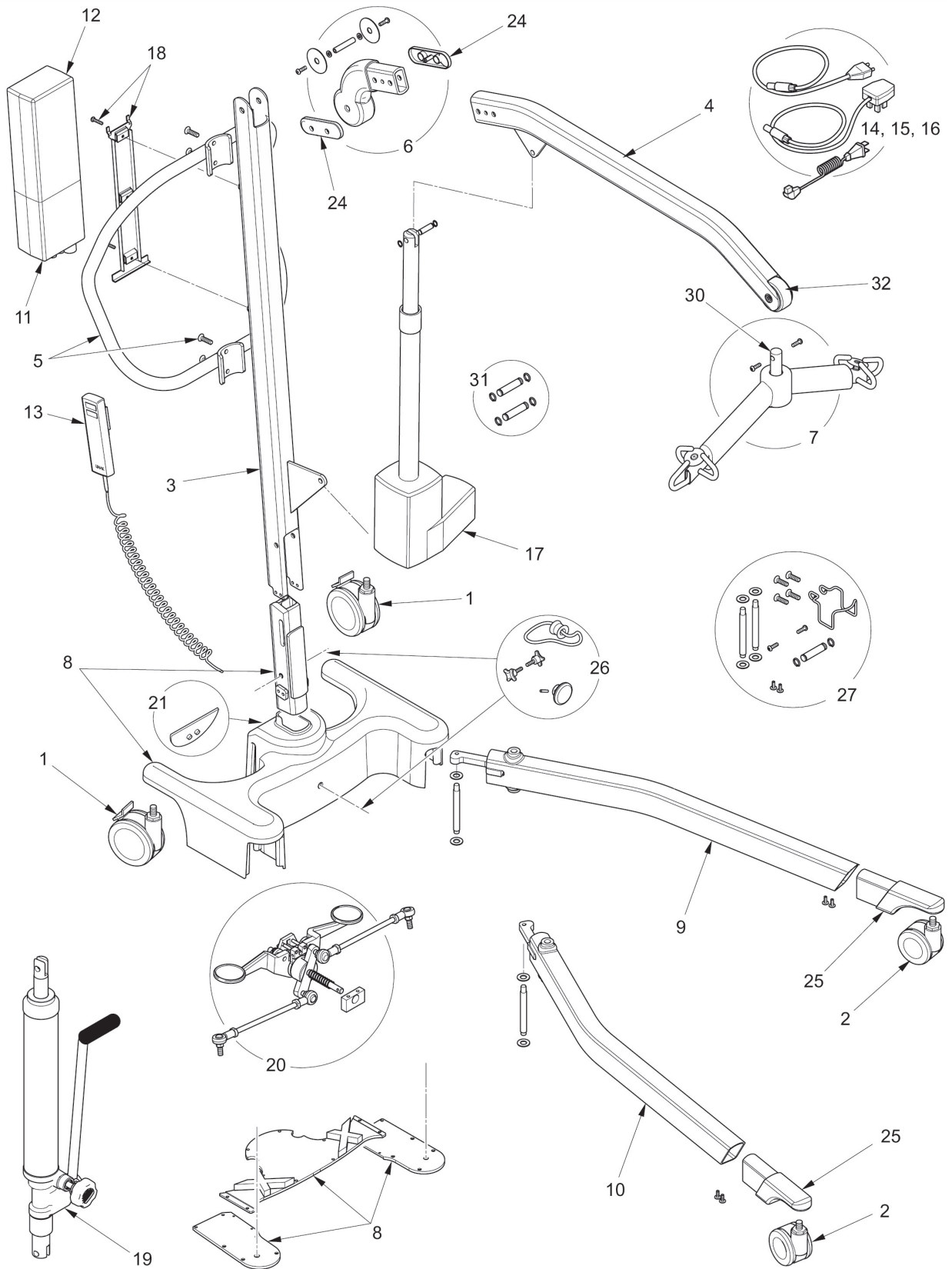
Oxford[®]/Hoyer[®]

Oxford[®]/Hoyer[®] Advance
Parts Manual



Redefining patient handling

NO.	PART NUMBER	DESCRIPTION	QTY	SERIAL NO.
1	0Y0066	100mm rear castor (braked)	2	
2	0Y0109	75mm front castor (non-braked)	2	
3	0Y0033	Mast extrusion including labels	1	
4	0Y0034	Boom extrusion (inc. boom end caps and labels except for Oxford/Hoyer dome label)	1	
5	0Y0035	Push handle assembly (including fixings)	1	
6	0Y0036	Casted boom to mast pivot joint (including connection bolts/fixings/spacers)	1	
7	0Y0037	Spreader bar assembly complete (6 point)	1	
8	0Y0038	Base assembly (inc. base casting, bottom plate, welded post & labels, not internal parts)	1	
9	0Y0039	Left leg extrusion (including fixings)	1	
10	0Y0040	Right leg extrusion (including fixings)	1	
11	0Y0110	Linak controller (UK/EU)	1	
11	0Y0106	Linak controller (US)	1	
12	0Y0067	Linak battery	1	
13	0Y0111	Linak hand control (UK/EU)	1	
13	0Y0107	Linak hand control (US)	1	
14	0Y0071	Linak charge lead (UK)	1	
15	0Y0068	Linak charge lead (US)	1	
16	0Y0072	Linak charge lead (EU)	1	
17	0Y0031	Linak actuator - 350mm stroke (inc. location pins, sleeves, washers, circlips and labels)	1	
18	0Y0069	Linak battery and controller brackets/fixings	1	
19	0Y0032	Hydraulic pump - 350mm stroke (US only) (inc. labels & serial number)	1	
20	0Y0041	Foot pedal mechanism complete	1	
21	0Y0042	Foot push pad assembly complete	2	
22	0Y0043	Decal set (Oxford) not shown - no serial number labels	1	
23	0Y0044	Decal set (Hoyer) not shown - no serial number labels	1	
24	0Y0108	Boom to mast pivot plastic caps	2	
25	0Y0045	Front castor leg inserts including fixings (plastic)	2	
26	0Y0046	Knob kit (inc. mast tightening knob, elastic leg restraint and leg disengage handle)	1	
27	0Y0047	Fixings kit (all bolts, screws and fixings)	1	
28	0Y0070	Handset clip (not shown)	2	
29	0Y0053	Linak charger and stand assembly (without charging lead)	1	
30	0Y0379	Spreader bar washer and o-ring spares kit	1	
31	0Y0149	Actuator fixing kit	1	
32	0Y0729	Boom end plastic cap	1	





Joerns Healthcare Ltd

Drakes Broughton Business Park, Worcester Road
Drakes Broughton, Pershore, Worcestershire
WR10 2AG, United Kingdom
Tel: +44 (0)844 811 1156
Fax: +44 (0)844 811 1157
info@joerns.co.uk
www.joerns.co.uk

Joerns Healthcare Inc

5001 Joerns Drive
Stevens Point, WI 54481-5040
USA
715-341-3600
800-826-0270
Fax: 715-341-3962
www.joerns.com